

Leveling Feet

Stainless Steel, with Fixing Lug, Drop Shape

SPECIFICATION

Types (Base)

- Type **DO**: Without rubber pad
- Type **D1**: With rubber pad, clipped on, black
- Type **D3**: With rubber pad, vulcanized, black

Version (Screw)

- Version **S**: Without nut, external hex at the bottom
- Version **SK**: With nut, external hex at the bottom
- Version **T**: Without nut, wrench flat at the bottom
- Version **TK**: With nut, wrench flat at the bottom
- Version **U**: Without nut, hex socket at the top, wrench flat at the bottom
- Version **UK**: With nut, hex socket at the top, wrench flat at the bottom
- Version **V**: Without nut, external hex at the top and wrench flat at the bottom
- Version **VK**: With nut, external hex at the top and wrench flat at the bottom
- Version **W**: With adjustable sleeve, covered thread, wrench flat at the bottom
- Version **X**: External hex with internal thread

Base plate, plain ground
Stainless steel AISI 304

Threaded stem
Stainless steel AISI 303

Hex nut ISO 4032
Stainless steel

Rubber pad, clipped on
- Black, TPE (Santoprene®)
- ≈ 80 Shore A

Rubber pad, vulcanized
- Black, NBR (Perbunan®)
- 70 ± 5 Shore A

INFORMATION

Leveling feet GN 43 are for use in aggressive environments. The range of combinations of base plates and adjustable spindle versions allows these levelling feet to be used in every situation.

The leveling feet can be screwed to the mounting surface use the fixing lug, which prevents lateral shifting. Moreover, the types with the rubber pad protect sensitive surfaces.

The leveling feet are supplied fully assembled and are not removable.

TECHNICAL INFORMATION

- Plastic Characteristics (see page A2)
- Stainless Steel Characteristics (see page A26)



LOAD RATING OF LEVELING FEET

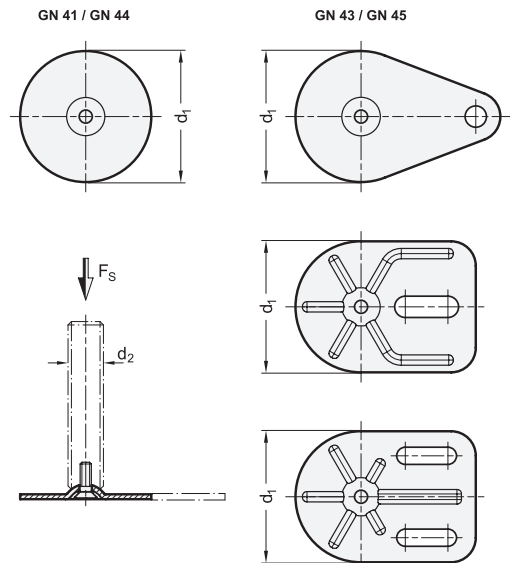
The static load bearing capacity given in the table rests on a test series in which the load has been applied perpendicular to the base plate (without rubber underlay). For the values given in the table, the strain relief may result in minor deformations of the base plate.

Bending and buckling stress which often occurs in practice results in a lower load bearing capacity of the adjustment spindle and may have to be taken into account.

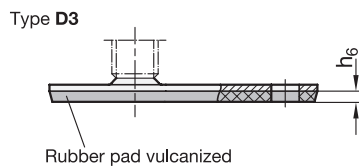
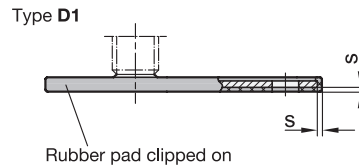
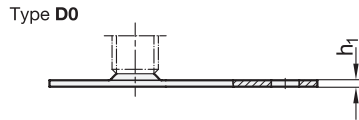
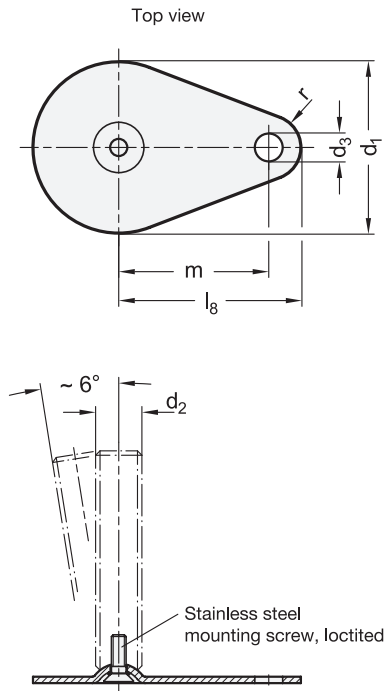
Also, the spindle strength is assumed to be $\geq 500 \text{ N/mm}^2$.

The details given on strength are nonbinding guide values without any liability. In general, they do not constitute a warranty of quality.

The user must determine from case to case if a product is suitable for the intended purpose or use. Environmental factors may influence the stated values.



Versions of threaded stem		
<p>S / SK: External hex at the bottom at d_2 M 8, M 10, M 12</p>	<p>T / TK: Wrench flat at the bottom at d_2 M 16, M 20, M 24</p>	<p>U / UK: Hex socket at the top and wrench flat at the bottom at d_2 M 16, M 20, M 24</p>
<p>V / VK: External hex at the top and wrench flat at the bottom at d_2 M 16, M 20, M 24</p>	<p>W: Covered thread and wrench flat at the bottom at d_2 M 16</p>	<p>X: External hex with internal thread at d_2 M 8, M 10, M 12, M 16, M 20</p>





Leveling elements 11

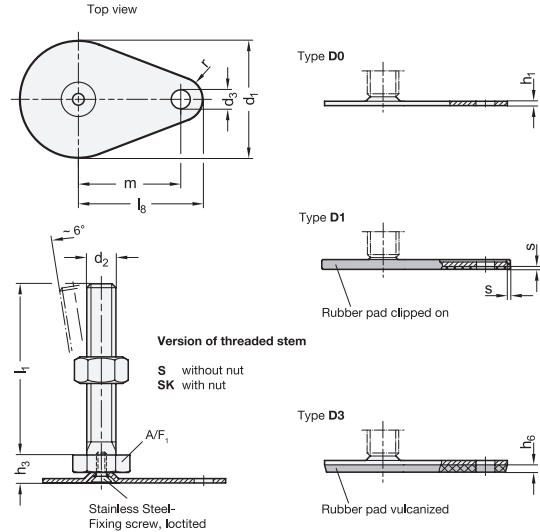
* Complete with version of the Leveling feet
(External hex at the bottom)

S **SK**
without nut with nut

GN 43-S/SK

Description	d1	d2	l1	d3	h1	h3	h6	l8	m	r	s	A/F 1	Static Load in kN	
GN 43-50-M8-40-D0-*	50	M 8	40	13	2.5	11	-	60	45	15	-	17	8	90
GN 43-50-M8-40-D1-*	50	M 8	40	13	2.5	11	-	60	45	15	2	17	8	100
GN 43-50-M8-40-D3-*	50	M 8	40	13	2.5	11	4	60	45	15	-	17	8	104
GN 43-50-M8-50-D0-*	50	M 8	50	13	2.5	11	-	60	45	15	-	17	8	92
GN 43-50-M8-50-D1-*	50	M 8	50	13	2.5	11	-	60	45	15	2	17	8	100
GN 43-50-M8-50-D3-*	50	M 8	50	13	2.5	11	4	60	45	15	-	17	8	103
GN 43-50-M8-63-D0-*	50	M 8	63	13	2.5	11	-	60	45	15	-	17	8	90
GN 43-50-M8-63-D1-*	50	M 8	63	13	2.5	11	-	60	45	15	2	17	8	100
GN 43-50-M8-63-D3-*	50	M 8	63	13	2.5	11	4	60	45	15	-	17	8	120
GN 43-50-M10-50-D0-*	50	M 10	50	13	2.5	11	-	60	45	15	-	17	14	100
GN 43-50-M10-50-D1-*	50	M 10	50	13	2.5	11	-	60	45	15	2	17	14	110
GN 43-50-M10-50-D3-*	50	M 10	50	13	2.5	11	4	60	45	15	-	17	14	120
GN 43-50-M10-60-D0-*	50	M 10	60	13	2.5	11	-	60	45	15	-	17	14	97
GN 43-50-M10-60-D1-*	50	M 10	60	13	2.5	11	-	60	45	15	2	17	14	120
GN 43-50-M10-60-D3-*	50	M 10	60	13	2.5	11	4	60	45	15	-	17	14	130
GN 43-50-M10-80-D0-*	50	M 10	80	13	2.5	11	-	60	45	15	-	17	14	120
GN 43-50-M10-80-D1-*	50	M 10	80	13	2.5	11	-	60	45	15	2	17	14	128
GN 43-50-M10-80-D3-*	50	M 10	80	13	2.5	11	4	60	45	15	-	17	14	140
GN 43-50-M10-100-D0-*	50	M 10	100	13	2.5	11	-	60	45	15	-	17	14	110
GN 43-50-M10-100-D1-*	50	M 10	100	13	2.5	11	-	60	45	15	2	17	14	140
GN 43-50-M10-100-D3-*	50	M 10	100	13	2.5	11	4	60	45	15	-	17	14	140
GN 43-50-M12-60-D0-*	50	M 12	60	13	2.5	11	-	60	45	15	-	17	14	120
GN 43-50-M12-60-D1-*	50	M 12	60	13	2.5	11	-	60	45	15	2	17	14	140
GN 43-50-M12-60-D3-*	50	M 12	60	13	2.5	11	4	60	45	15	-	17	14	140
GN 43-50-M12-80-D0-*	50	M 12	80	13	2.5	11	-	60	45	15	-	17	14	143
GN 43-50-M12-80-D1-*	50	M 12	80	13	2.5	11	-	60	45	15	2	17	14	140
GN 43-50-M12-80-D3-*	50	M 12	80	13	2.5	11	4	60	45	15	-	17	14	160
GN 43-50-M12-100-D0-*	50	M 12	100	13	2.5	11	-	60	45	15	-	17	14	160
GN 43-50-M12-100-D1-*	50	M 12	100	13	2.5	11	-	60	45	15	2	17	14	166
GN 43-50-M12-100-D3-*	50	M 12	100	13	2.5	11	4	60	45	15	-	17	14	150
GN 43-50-M12-125-D0-*	50	M 12	125	13	2.5	11	-	60	45	15	-	17	14	180
GN 43-50-M12-125-D1-*	50	M 12	125	13	2.5	11	-	60	45	15	2	17	14	200
GN 43-50-M12-125-D3-*	50	M 12	125	13	2.5	11	4	60	45	15	-	17	14	190
GN 43-60-M8-40-D0-*	60	M 8	40	13	2.5	11	-	65	50	15	-	17	8	102
GN 43-60-M8-40-D1-*	60	M 8	40	13	2.5	11	-	65	50	15	2	17	8	108
GN 43-60-M8-40-D3-*	60	M 8	40	13	2.5	11	4.5	65	50	15	-	17	8	120
GN 43-60-M8-50-D0-*	60	M 8	50	13	2.5	11	-	65	50	15	-	17	8	100
GN 43-60-M8-50-D1-*	60	M 8	50	13	2.5	11	-	65	50	15	2	17	8	120
GN 43-60-M8-50-D3-*	60	M 8	50	13	2.5	11	4.5	65	50	15	-	17	8	130
GN 43-60-M8-63-D0-*	60	M 8	63	13	2.5	11	-	65	50	15	-	17	8	109
GN 43-60-M8-63-D1-*	60	M 8	63	13	2.5	11	-	65	50	15	2	17	8	116
GN 43-60-M8-63-D3-*	60	M 8	63	13	2.5	11	4.5	65	50	15	-	17	8	148
GN 43-60-M10-50-D0-*	60	M 10	50	13	2.5	11	-	65	50	15	-	17	14	120
GN 43-60-M10-50-D1-*	60	M 10	50	13	2.5	11	-	65	50	15	2	17	14	110
GN 43-60-M10-50-D3-*	60	M 10	50	13	2.5	11	4.5	65	50	15	-	17	14	140
GN 43-60-M10-60-D0-*	60	M 10	60	13	2.5	11	-	65	50	15	-	17	14	130
GN 43-60-M10-60-D1-*	60	M 10	60	13	2.5	11	-	65	50	15	2	17	14	140
GN 43-60-M10-60-D3-*	60	M 10	60	13	2.5	11	4.5	65	50	15	-	17	14	164
GN 43-60-M10-80-D0-*	60	M 10	80	13	2.5	11	-	65	50	15	-	17	14	140
GN 43-60-M10-80-D1-*	60	M 10	80	13	2.5	11	-	65	50	15	2	17	14	150
GN 43-60-M10-80-D3-*	60	M 10	80	13	2.5	11	4.5	65	50	15	-	17	14	170
GN 43-60-M10-100-D0-*	60	M 10	100	13	2.5	11	-	65	50	15	-	17	14	140
GN 43-60-M10-100-D1-*	60	M 10	100	13	2.5	11	-	65	50	15	2	17	14	160
GN 43-60-M10-100-D3-*	60	M 10	100	13	2.5	11	4.5	65	50	15	-	17	14	180
GN 43-60-M12-60-D0-*	60	M 12	60	13	2.5	11	-	65	50	15	-	17	16	140
GN 43-60-M12-60-D1-*	60	M 12	60	13	2.5	11	-	65	50	15	2	17	16	159
GN 43-60-M12-60-D3-*	60	M 12	60	13	2.5	11	4.5	65	50	15	-	17	16	181

Weight Version S



* Complete with version of the Leveling feet (External hex at the bottom)

S without nut **SK** with nut

GN 43-S/SK

Description	d1	d2	l1	d3	h1	h3	h6	l8	m	r	s	A/F 1	Static Load in kN	📐
GN 43-60-M12-80-D0-*	60	M 12	80	13	2.5	11	-	65	50	15	-	17	16	160
GN 43-60-M12-80-D1-*	60	M 12	80	13	2.5	11	-	65	50	15	2	17	16	180
GN 43-60-M12-80-D3-*	60	M 12	80	13	2.5	11	4.5	65	50	15	-	17	16	180
GN 43-60-M12-100-D0-*	60	M 12	100	13	2.5	11	-	65	50	15	-	17	16	180
GN 43-60-M12-100-D1-*	60	M 12	100	13	2.5	11	-	65	50	15	2	17	16	190
GN 43-60-M12-100-D3-*	60	M 12	100	13	2.5	11	4.5	65	50	15	-	17	16	200
GN 43-60-M12-125-D0-*	60	M 12	125	13	2.5	11	-	65	50	15	-	17	16	200
GN 43-60-M12-125-D1-*	60	M 12	125	13	2.5	11	-	65	50	15	2	17	16	210
GN 43-60-M12-125-D3-*	60	M 12	125	13	2.5	11	4.5	65	50	15	-	17	16	200
GN 43-80-M8-40-D0-*	80	M 8	40	13	3	12	-	85	70	15	-	17	8	181
GN 43-80-M8-40-D1-*	80	M 8	40	13	3	12	-	85	70	15	2	17	8	198
GN 43-80-M8-40-D3-*	80	M 8	40	13	3	12	5	85	70	15	-	17	8	221
GN 43-80-M8-50-D0-*	80	M 8	50	13	3	12	-	85	70	15	-	17	8	184
GN 43-80-M8-50-D1-*	80	M 8	50	13	3	12	-	85	70	15	2	17	8	201
GN 43-80-M8-50-D3-*	80	M 8	50	13	3	12	5	85	70	15	-	17	8	224
GN 43-80-M8-63-D0-*	80	M 8	63	13	3	12	-	85	70	15	-	17	8	188
GN 43-80-M8-63-D1-*	80	M 8	63	13	3	12	-	85	70	15	2	17	8	205
GN 43-80-M8-63-D3-*	80	M 8	63	13	3	12	5	85	70	15	-	17	8	228
GN 43-80-M10-50-D0-*	80	M 10	50	13	3	12	-	85	70	15	-	17	14	213
GN 43-80-M10-50-D1-*	80	M 10	50	13	3	12	-	85	70	15	2	17	14	230
GN 43-80-M10-50-D3-*	80	M 10	50	13	3	12	5	85	70	15	-	17	14	253
GN 43-80-M10-60-D0-*	80	M 10	60	13	3	12	-	85	70	15	-	17	14	217
GN 43-80-M10-60-D1-*	80	M 10	60	13	3	12	-	85	70	15	2	17	14	234
GN 43-80-M10-60-D3-*	80	M 10	60	13	3	12	5	85	70	15	-	17	14	257
GN 43-80-M10-80-D0-*	80	M 10	80	13	3	12	-	85	70	15	-	17	14	227
GN 43-80-M10-80-D1-*	80	M 10	80	13	3	12	-	85	70	15	2	17	14	244
GN 43-80-M10-80-D3-*	80	M 10	80	13	3	12	5	85	70	15	-	17	14	267
GN 43-80-M10-100-D0-*	80	M 10	100	13	3	12	-	85	70	15	-	17	14	238
GN 43-80-M10-100-D1-*	80	M 10	100	13	3	12	-	85	70	15	2	17	14	255
GN 43-80-M10-100-D3-*	80	M 10	100	13	3	12	5	85	70	15	-	17	14	278
GN 43-80-M12-60-D0-*	80	M 12	60	13	3	12	-	85	70	15	-	17	20	231
GN 43-80-M12-60-D1-*	80	M 12	60	13	3	12	-	85	70	15	2	17	20	248
GN 43-80-M12-60-D3-*	80	M 12	60	13	3	12	5	85	70	15	-	17	20	271
GN 43-80-M12-80-D0-*	80	M 12	80	13	3	12	-	85	70	15	-	17	20	245
GN 43-80-M12-80-D1-*	80	M 12	80	13	3	12	-	85	70	15	2	17	20	262
GN 43-80-M12-80-D3-*	80	M 12	80	13	3	12	5	85	70	15	-	17	20	285
GN 43-80-M12-100-D0-*	80	M 12	100	13	3	12	-	85	70	15	-	17	20	260
GN 43-80-M12-100-D1-*	80	M 12	100	13	3	12	-	85	70	15	2	17	20	277
GN 43-80-M12-100-D3-*	80	M 12	100	13	3	12	5	85	70	15	-	17	20	300
GN 43-80-M12-125-D0-*	80	M 12	125	13	3	12	-	85	70	15	-	17	20	277
GN 43-80-M12-125-D1-*	80	M 12	125	13	3	12	-	85	70	15	2	17	20	294
GN 43-80-M12-125-D3-*	80	M 12	125	13	3	12	5	85	70	15	-	17	20	317

Weight Version S





Leveling elements 11

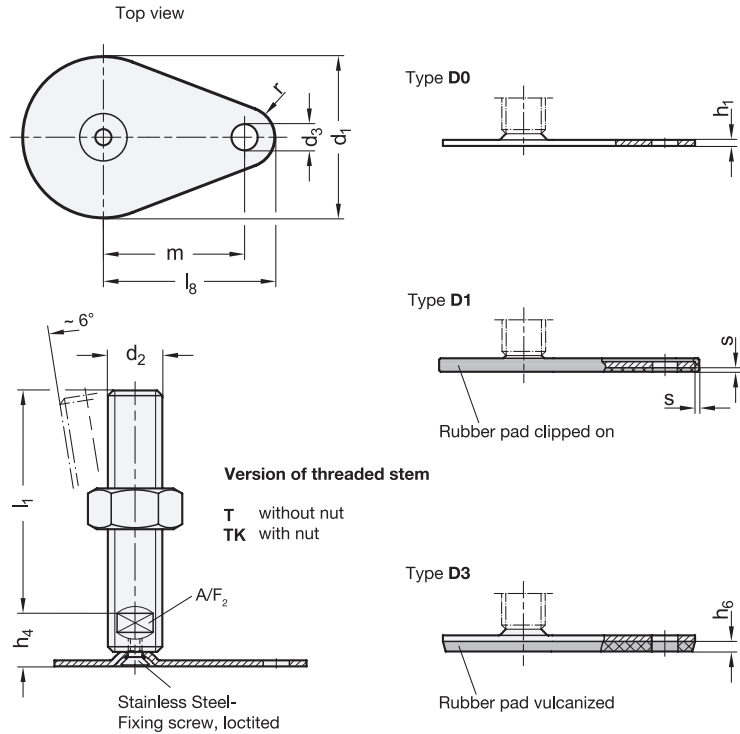
* Complete with version of the Leveling feet (Wrench flat at the bottom)

T **TK**
without nut with nut

GN 43-T/TK

Description	d1	d2	l1	d3	h1	h4	h6	l8	m	r	s	A/F 2	Static Load in kN	
GN 43-50-M16-75-D0.*	50	M16	75	13	2.5	17	-	60	45	15	-	12	14	168
GN 43-50-M16-75-D1.*	50	M16	75	13	2.5	17	-	60	45	15	2	12	14	177
GN 43-50-M16-75-D3.*	50	M16	75	13	2.5	17	4	60	45	15	-	12	14	181
GN 43-50-M16-100-D0.*	50	M16	100	13	2.5	17	-	60	45	15	-	12	14	500
GN 43-50-M16-100-D1.*	50	M16	100	13	2.5	17	-	60	45	15	2	12	14	100
GN 43-50-M16-100-D3.*	50	M16	100	13	2.5	17	4	60	45	15	-	12	14	240
GN 43-50-M16-125-D0.*	50	M16	125	13	2.5	17	-	60	45	15	-	12	14	233
GN 43-50-M16-125-D1.*	50	M16	125	13	2.5	17	-	60	45	15	2	12	14	242
GN 43-50-M16-125-D3.*	50	M16	125	13	2.5	17	4	60	45	15	-	12	14	246
GN 43-50-M16-150-D0.*	50	M16	150	13	2.5	17	-	60	45	15	-	12	14	265
GN 43-50-M16-150-D1.*	50	M16	150	13	2.5	17	-	60	45	15	2	12	14	274
GN 43-50-M16-150-D3.*	50	M16	150	13	2.5	17	4	60	45	15	-	12	14	278
GN 43-50-M16-200-D0.*	50	M16	200	13	2.5	17	-	60	45	15	-	12	14	340
GN 43-50-M16-200-D1.*	50	M16	200	13	2.5	17	-	60	45	15	2	12	14	617
GN 43-50-M16-200-D3.*	50	M16	200	13	2.5	17	4	60	45	15	-	12	14	621
GN 43-50-M16-250-D0.*	50	M16	250	13	2.5	17	-	60	45	15	-	12	14	671
GN 43-50-M16-250-D1.*	50	M16	250	13	2.5	17	-	60	45	15	2	12	14	948
GN 43-50-M16-250-D3.*	50	M16	250	13	2.5	17	4	60	45	15	-	12	14	952
GN 43-60-M16-75-D0.*	60	M16	75	13	2.5	17	-	65	50	15	-	12	16	186
GN 43-60-M16-75-D1.*	60	M16	75	13	2.5	17	-	65	50	15	2	12	16	197
GN 43-60-M16-75-D3.*	60	M16	75	13	2.5	17	4.5	65	50	15	-	12	16	206
GN 43-60-M16-100-D0.*	60	M16	100	13	2.5	17	-	65	50	15	-	12	16	218
GN 43-60-M16-100-D1.*	60	M16	100	13	2.5	17	-	65	50	15	2	12	16	229
GN 43-60-M16-100-D3.*	60	M16	100	13	2.5	17	4.5	65	50	15	-	12	16	239
GN 43-60-M16-125-D0.*	60	M16	125	13	2.5	17	-	65	50	15	-	12	16	260
GN 43-60-M16-125-D1.*	60	M16	125	13	2.5	17	-	65	50	15	2	12	16	261
GN 43-60-M16-125-D3.*	60	M16	125	13	2.5	17	4.5	65	50	15	-	12	16	271
GN 43-60-M16-150-D0.*	60	M16	150	13	2.5	17	-	65	50	15	-	12	16	282
GN 43-60-M16-150-D1.*	60	M16	150	13	2.5	17	-	65	50	15	2	12	16	293
GN 43-60-M16-150-D3.*	60	M16	150	13	2.5	17	4.5	65	50	15	-	12	16	303
GN 43-60-M16-200-D0.*	60	M16	200	13	2.5	17	-	65	50	15	-	12	16	625
GN 43-60-M16-200-D1.*	60	M16	200	13	2.5	17	-	65	50	15	2	12	16	636
GN 43-60-M16-200-D3.*	60	M16	200	13	2.5	17	4.5	65	50	15	-	12	16	646
GN 43-60-M16-250-D0.*	60	M16	250	13	2.5	17	-	65	50	15	-	12	16	956
GN 43-60-M16-250-D1.*	60	M16	250	13	2.5	17	-	65	50	15	2	12	16	967
GN 43-60-M16-250-D3.*	60	M16	250	13	2.5	17	4.5	65	50	15	-	12	16	977
GN 43-80-M16-75-D0.*	80	M16	75	13	3	18	-	85	70	15	-	12	20	267
GN 43-80-M16-75-D1.*	80	M16	75	13	3	18	-	85	70	15	2	12	20	284
GN 43-80-M16-75-D3.*	80	M16	75	13	3	18	5	85	70	15	-	12	20	308
GN 43-80-M16-100-D0.*	80	M16	100	13	3	18	-	85	70	15	-	12	20	300
GN 43-80-M16-100-D1.*	80	M16	100	13	3	18	-	85	70	15	2	12	20	317
GN 43-80-M16-100-D3.*	80	M16	100	13	3	18	5	85	70	15	-	12	20	341
GN 43-80-M16-125-D0.*	80	M16	125	13	3	18	-	85	70	15	-	12	20	332
GN 43-80-M16-125-D1.*	80	M16	125	13	3	18	-	85	70	15	2	12	20	349
GN 43-80-M16-125-D3.*	80	M16	125	13	3	18	5	85	70	15	-	12	20	373
GN 43-80-M16-150-D0.*	80	M16	150	13	3	18	-	85	70	15	-	12	20	364
GN 43-80-M16-150-D1.*	80	M16	150	13	3	18	-	85	70	15	2	12	20	381
GN 43-80-M16-150-D3.*	80	M16	150	13	3	18	5	85	70	15	-	12	20	405
GN 43-80-M16-200-D0.*	80	M16	200	13	3	18	-	85	70	15	-	12	20	707
GN 43-80-M16-200-D1.*	80	M16	200	13	3	18	-	85	70	15	2	12	20	724
GN 43-80-M16-200-D3.*	80	M16	200	13	3	18	5	85	70	15	-	12	20	748
GN 43-80-M16-250-D0.*	80	M16	250	13	3	18	-	85	70	15	-	12	20	492
GN 43-80-M16-250-D1.*	80	M16	250	13	3	18	-	85	70	15	2	12	20	509
GN 43-80-M16-250-D3.*	80	M16	250	13	3	18	5	85	70	15	-	12	20	533
GN 43-80-M20-75-D0.*	80	M20	75	13	3	18	-	85	70	15	-	15	20	323
GN 43-80-M20-75-D1.*	80	M20	75	13	3	18	-	85	70	15	2	15	20	340
GN 43-80-M20-75-D3.*	80	M20	75	13	3	18	5	85	70	15	-	15	20	362

Weight Version T



* Complete with version of the Leveling feet (Wrench flat at the bottom)

T without nut
TK with nut

GN 43-T/TK

Description	d1	d2	l1	d3	h1	h4	h6	l8	m	r	s	A/F 2	Static Load in kN	⚖
GN 43-80-M20-100-D0-*	80	M 20	100	13	3	18	-	85	70	15	-	15	20	372
GN 43-80-M20-100-D1-*	80	M 20	100	13	3	18	-	85	70	15	2	15	20	389
GN 43-80-M20-100-D3-*	80	M 20	100	13	3	18	5	85	70	15	-	15	20	410
GN 43-80-M20-125-D0-*	80	M 20	125	13	3	18	-	85	70	15	-	15	20	422
GN 43-80-M20-125-D1-*	80	M 20	125	13	3	18	-	85	70	15	2	15	20	439
GN 43-80-M20-125-D3-*	80	M 20	125	13	3	18	5	85	70	15	-	15	20	460
GN 43-80-M20-150-D0-*	80	M 20	150	13	3	18	-	85	70	15	-	15	20	471
GN 43-80-M20-150-D1-*	80	M 20	150	13	3	18	-	85	70	15	2	15	20	488
GN 43-80-M20-150-D3-*	80	M 20	150	13	3	18	5	85	70	15	-	15	20	509
GN 43-80-M20-200-D0-*	80	M 20	200	13	3	18	-	85	70	15	-	15	20	562
GN 43-80-M20-200-D1-*	80	M 20	200	13	3	18	-	85	70	15	2	15	20	579
GN 43-80-M20-200-D3-*	80	M 20	200	13	3	18	5	85	70	15	-	15	20	600
GN 43-80-M20-250-D0-*	80	M 20	250	13	3	18	-	85	70	15	-	15	20	1056
GN 43-80-M20-250-D1-*	80	M 20	250	13	3	18	-	85	70	15	2	15	20	1073
GN 43-80-M20-250-D3-*	80	M 20	250	13	3	18	5	85	70	15	-	15	20	1094
GN 43-80-M24-100-D0-*	80	M 24	100	13	3	21	-	85	70	15	-	19	22	474
GN 43-80-M24-100-D1-*	80	M 24	100	13	3	21	-	85	70	15	2	19	22	491
GN 43-80-M24-100-D3-*	80	M 24	100	13	3	21	5	85	70	15	-	19	22	510
GN 43-80-M24-125-D0-*	80	M 24	125	13	3	21	-	85	70	15	-	19	22	546
GN 43-80-M24-125-D1-*	80	M 24	125	13	3	21	-	85	70	15	2	19	22	563
GN 43-80-M24-125-D3-*	80	M 24	125	13	3	21	5	85	70	15	-	19	22	582
GN 43-80-M24-150-D0-*	80	M 24	150	13	3	21	-	85	70	15	-	19	22	618
GN 43-80-M24-150-D1-*	80	M 24	150	13	3	21	-	85	70	15	2	19	22	635
GN 43-80-M24-150-D3-*	80	M 24	150	13	3	21	5	85	70	15	-	19	22	654
GN 43-80-M24-200-D0-*	80	M 24	200	13	3	21	-	85	70	15	-	19	22	756
GN 43-80-M24-200-D1-*	80	M 24	200	13	3	21	-	85	70	15	2	19	22	773
GN 43-80-M24-200-D3-*	80	M 24	200	13	3	21	5	85	70	15	-	19	22	792
GN 43-80-M24-300-D0-*	80	M 24	300	13	3	21	-	85	70	15	-	19	22	1038
GN 43-80-M24-300-D1-*	80	M 24	300	13	3	21	-	85	70	15	2	19	22	1055
GN 43-80-M24-300-D3-*	80	M 24	300	13	3	21	5	85	70	15	-	19	22	1075

Weight Version T





Leveling elements 11

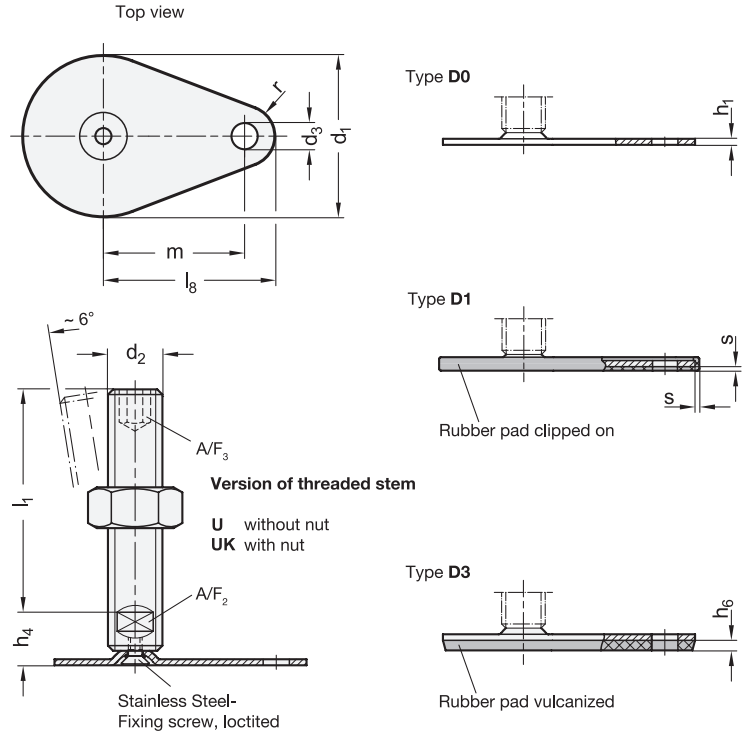
* Complete with version of the Leveling feet
(Hex socket at the top / Wrench at the bottom)

U **UK**
without nut with nut

GN 43-U/UK

Description	d1	d2	l1	d3	h1	h4	h6	l8	m	r	s	A/F 2	A/F 3	Static Load in kN	
GN 43-50-M16-75-D0-*	50	M16	75	13	2.5	17	-	60	45	15	-	12	8	14	200
GN 43-50-M16-75-D1-*	50	M16	75	13	2.5	17	-	60	45	15	2	12	8	14	209
GN 43-50-M16-75-D3-*	50	M16	75	13	2.5	17	4	60	45	15	-	12	8	14	200
GN 43-50-M16-100-D0-*	50	M16	100	13	2.5	17	-	60	45	15	-	12	8	14	230
GN 43-50-M16-100-D1-*	50	M16	100	13	2.5	17	-	60	45	15	2	12	8	14	100
GN 43-50-M16-100-D3-*	50	M16	100	13	2.5	17	4	60	45	15	-	12	8	14	240
GN 43-50-M16-125-D0-*	50	M16	125	13	2.5	17	-	60	45	15	-	12	8	14	260
GN 43-50-M16-125-D1-*	50	M16	125	13	2.5	17	-	60	45	15	2	12	8	14	270
GN 43-50-M16-125-D3-*	50	M16	125	13	2.5	17	4	60	45	15	-	12	8	14	270
GN 43-50-M16-150-D0-*	50	M16	150	13	2.5	17	-	60	45	15	-	12	8	14	295
GN 43-50-M16-150-D1-*	50	M16	150	13	2.5	17	-	60	45	15	2	12	8	14	269
GN 43-50-M16-150-D3-*	50	M16	150	13	2.5	17	4	60	45	15	-	12	8	14	300
GN 43-50-M16-200-D0-*	50	M16	200	13	2.5	17	-	60	45	15	-	12	8	14	361
GN 43-50-M16-200-D1-*	50	M16	200	13	2.5	17	-	60	45	15	2	12	8	14	250
GN 43-50-M16-200-D3-*	50	M16	200	13	2.5	17	4	60	45	15	-	12	8	14	374
GN 43-50-M16-250-D0-*	50	M16	250	13	2.5	17	-	60	45	15	-	12	8	14	690
GN 43-50-M16-250-D1-*	50	M16	250	13	2.5	17	-	60	45	15	2	12	8	14	580
GN 43-50-M16-250-D3-*	50	M16	250	13	2.5	17	4	60	45	15	-	12	8	14	703
GN 43-60-M16-75-D0-*	60	M16	75	13	2.5	17	-	65	50	15	-	12	8	16	181
GN 43-60-M16-75-D1-*	60	M16	75	13	2.5	17	-	65	50	15	2	12	8	16	192
GN 43-60-M16-75-D3-*	60	M16	75	13	2.5	17	4.5	65	50	15	-	12	8	16	201
GN 43-60-M16-100-D0-*	60	M16	100	13	2.5	17	-	65	50	15	-	12	8	16	220
GN 43-60-M16-100-D1-*	60	M16	100	13	2.5	17	-	65	50	15	2	12	8	16	260
GN 43-60-M16-100-D3-*	60	M16	100	13	2.5	17	4.5	65	50	15	-	12	8	16	270
GN 43-60-M16-125-D0-*	60	M16	125	13	2.5	17	-	65	50	15	-	12	8	16	280
GN 43-60-M16-125-D1-*	60	M16	125	13	2.5	17	-	65	50	15	2	12	8	16	256
GN 43-60-M16-125-D3-*	60	M16	125	13	2.5	17	4.5	65	50	15	-	12	8	16	300
GN 43-60-M16-150-D0-*	60	M16	150	13	2.5	17	-	65	50	15	-	12	8	16	300
GN 43-60-M16-150-D1-*	60	M16	150	13	2.5	17	-	65	50	15	2	12	8	16	320
GN 43-60-M16-150-D3-*	60	M16	150	13	2.5	17	4.5	65	50	15	-	12	8	16	320
GN 43-60-M16-200-D0-*	60	M16	200	13	2.5	17	-	65	50	15	-	12	8	16	378
GN 43-60-M16-200-D1-*	60	M16	200	13	2.5	17	-	65	50	15	2	12	8	16	420
GN 43-60-M16-200-D3-*	60	M16	200	13	2.5	17	4.5	65	50	15	-	12	8	16	399
GN 43-60-M16-250-D0-*	60	M16	250	13	2.5	17	-	65	50	15	-	12	8	16	708
GN 43-60-M16-250-D1-*	60	M16	250	13	2.5	17	-	65	50	15	2	12	8	16	750
GN 43-60-M16-250-D3-*	60	M16	250	13	2.5	17	4.5	65	50	15	-	12	8	16	728
GN 43-80-M16-75-D0-*	80	M16	75	13	3	18	-	85	70	15	-	12	8	20	262
GN 43-80-M16-75-D1-*	80	M16	75	13	3	18	-	85	70	15	2	12	8	20	279
GN 43-80-M16-75-D3-*	80	M16	75	13	3	18	5	85	70	15	-	12	8	20	303
GN 43-80-M16-100-D0-*	80	M16	100	13	3	18	-	85	70	15	-	12	8	20	294
GN 43-80-M16-100-D1-*	80	M16	100	13	3	18	-	85	70	15	2	12	8	20	311
GN 43-80-M16-100-D3-*	80	M16	100	13	3	18	5	85	70	15	-	12	8	20	335
GN 43-80-M16-125-D0-*	80	M16	125	13	3	18	-	85	70	15	-	12	8	20	327
GN 43-80-M16-125-D1-*	80	M16	125	13	3	18	-	85	70	15	2	12	8	20	344
GN 43-80-M16-125-D3-*	80	M16	125	13	3	18	5	85	70	15	-	12	8	20	368
GN 43-80-M16-150-D0-*	80	M16	150	13	3	18	-	85	70	15	-	12	8	20	359
GN 43-80-M16-150-D1-*	80	M16	150	13	3	18	-	85	70	15	2	12	8	20	376
GN 43-80-M16-150-D3-*	80	M16	150	13	3	18	5	85	70	15	-	12	8	20	400
GN 43-80-M16-200-D0-*	80	M16	200	13	3	18	-	85	70	15	-	12	8	20	425
GN 43-80-M16-200-D1-*	80	M16	200	13	3	18	-	85	70	15	2	12	8	20	442
GN 43-80-M16-200-D3-*	80	M16	200	13	3	18	5	85	70	15	-	12	8	20	466
GN 43-80-M16-250-D0-*	80	M16	250	13	3	18	-	85	70	15	-	12	8	20	491
GN 43-80-M16-250-D1-*	80	M16	250	13	3	18	-	85	70	15	2	12	8	20	508
GN 43-80-M16-250-D3-*	80	M16	250	13	3	18	5	85	70	15	-	12	8	20	532
GN 43-80-M20-75-D0-*	80	M20	75	13	3	18	-	85	70	15	-	15	10	20	375
GN 43-80-M20-75-D1-*	80	M20	75	13	3	18	-	85	70	15	2	15	10	20	340
GN 43-80-M20-75-D3-*	80	M20	75	13	3	18	5	85	70	15	-	15	10	20	362

Weight Version U



* Complete with version of the Leveling feet (Hex socket at the top / Wrench at the bottom)

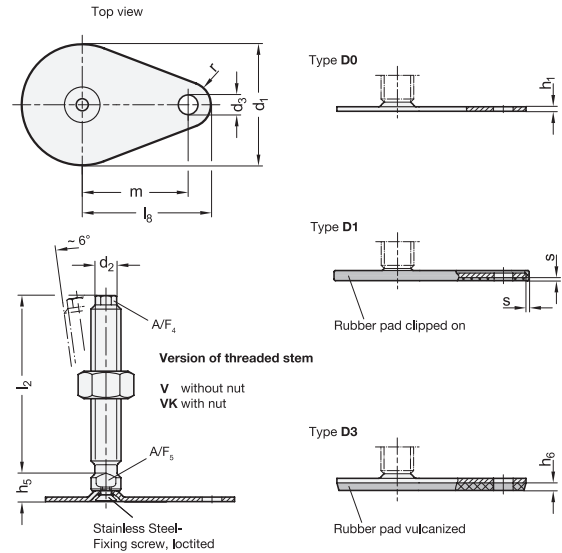
U without nut
UK with nut

GN 43-U/UK

Description	d1	d2	l1	d3	h1	h4	h6	l8	m	r	s	A/F 2	A/F 3	Static Load in kN	⚖️
GN 43-80-M20-100-D0-*	80	M 20	100	13	3	18	-	85	70	15	-	15	10	20	561
GN 43-80-M20-100-D1-*	80	M 20	100	13	3	18	-	85	70	15	2	15	10	20	578
GN 43-80-M20-100-D3-*	80	M 20	100	13	3	18	5	85	70	15	-	15	10	20	600
GN 43-80-M20-125-D0-*	80	M 20	125	13	3	18	-	85	70	15	-	15	10	20	424
GN 43-80-M20-125-D1-*	80	M 20	125	13	3	18	-	85	70	15	2	15	10	20	441
GN 43-80-M20-125-D3-*	80	M 20	125	13	3	18	5	85	70	15	-	15	10	20	463
GN 43-80-M20-150-D0-*	80	M 20	150	13	3	18	-	85	70	15	-	15	10	20	482
GN 43-80-M20-150-D1-*	80	M 20	150	13	3	18	-	85	70	15	2	15	10	20	499
GN 43-80-M20-150-D3-*	80	M 20	150	13	3	18	5	85	70	15	-	15	10	20	521
GN 43-80-M20-200-D0-*	80	M 20	200	13	3	18	-	85	70	15	-	15	10	20	577
GN 43-80-M20-200-D1-*	80	M 20	200	13	3	18	-	85	70	15	2	15	10	20	594
GN 43-80-M20-200-D3-*	80	M 20	200	13	3	18	5	85	70	15	-	15	10	20	616
GN 43-80-M20-250-D0-*	80	M 20	250	13	3	18	-	85	70	15	-	15	10	20	679
GN 43-80-M20-250-D1-*	80	M 20	250	13	3	18	-	85	70	15	2	15	10	20	696
GN 43-80-M20-250-D3-*	80	M 20	250	13	3	18	5	85	70	15	-	15	10	20	718
GN 43-80-M24-100-D0-*	80	M 24	100	13	3	21	-	85	70	15	-	19	12	22	553
GN 43-80-M24-100-D1-*	80	M 24	100	13	3	21	-	85	70	15	2	19	12	22	570
GN 43-80-M24-100-D3-*	80	M 24	100	13	3	21	5	85	70	15	-	19	12	22	590
GN 43-80-M24-125-D0-*	80	M 24	125	13	3	21	-	85	70	15	-	19	12	22	545
GN 43-80-M24-125-D1-*	80	M 24	125	13	3	21	-	85	70	15	2	19	12	22	562
GN 43-80-M24-125-D3-*	80	M 24	125	13	3	21	5	85	70	15	-	19	12	22	582
GN 43-80-M24-150-D0-*	80	M 24	150	13	3	21	-	85	70	15	-	19	12	22	626
GN 43-80-M24-150-D1-*	80	M 24	150	13	3	21	-	85	70	15	2	19	12	22	643
GN 43-80-M24-150-D3-*	80	M 24	150	13	3	21	5	85	70	15	-	19	12	22	663
GN 43-80-M24-200-D0-*	80	M 24	200	13	3	21	-	85	70	15	-	19	12	22	762
GN 43-80-M24-200-D1-*	80	M 24	200	13	3	21	-	85	70	15	2	19	12	22	779
GN 43-80-M24-200-D3-*	80	M 24	200	13	3	21	5	85	70	15	-	19	12	22	799
GN 43-80-M24-300-D0-*	80	M 24	300	13	3	21	-	85	70	15	-	19	12	22	1571
GN 43-80-M24-300-D1-*	80	M 24	300	13	3	21	-	85	70	15	2	19	12	22	1588
GN 43-80-M24-300-D3-*	80	M 24	300	13	3	21	5	85	70	15	-	19	12	22	1608

Weight Version U





* Complete with version of Leveling feet
(External hex socket on the top / Wrench flat at the bottom)

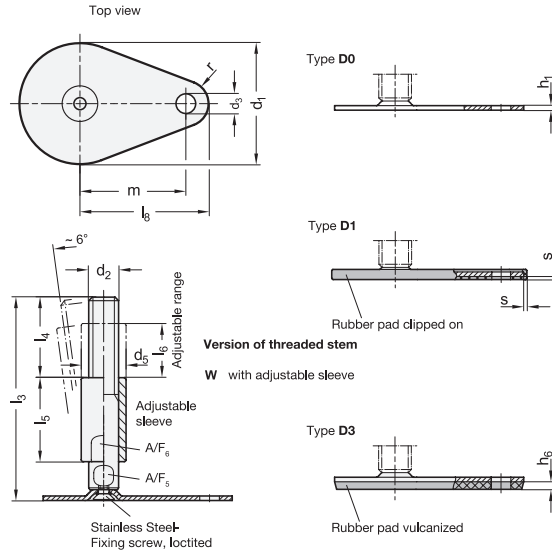
V without nut
VK with nut

GN 43-V/VK

Description	d1	d2	l2	d3	h1	h5	h6	l8	m	r	s	A/F 4	A/F 5	Static Load in kN	
GN 43-60-M16-75-D0-*	60	M16	75	13	2.5	14	-	65	50	15	-	10	12	16	177
GN 43-60-M16-75-D1-*	60	M16	75	13	2.5	14	-	65	50	15	2	10	12	16	188
GN 43-60-M16-75-D3-*	60	M16	75	13	2.5	14	4.5	65	50	15	-	10	12	16	197
GN 43-60-M16-100-D0-*	60	M16	100	13	2.5	14	-	65	50	15	-	10	12	16	210
GN 43-60-M16-100-D1-*	60	M16	100	13	2.5	14	-	65	50	15	2	10	12	16	221
GN 43-60-M16-100-D3-*	60	M16	100	13	2.5	14	4.5	65	50	15	-	10	12	16	231
GN 43-60-M16-125-D0-*	60	M16	125	13	2.5	14	-	65	50	15	-	10	12	16	242
GN 43-60-M16-125-D1-*	60	M16	125	13	2.5	14	-	65	50	15	2	10	12	16	253
GN 43-60-M16-125-D3-*	60	M16	125	13	2.5	14	4.5	65	50	15	-	10	12	16	263
GN 43-60-M16-150-D0-*	60	M16	150	13	2.5	14	-	65	50	15	-	10	12	16	275
GN 43-60-M16-150-D1-*	60	M16	150	13	2.5	14	-	65	50	15	2	10	12	16	286
GN 43-60-M16-150-D3-*	60	M16	150	13	2.5	14	4.5	65	50	15	-	10	12	16	296
GN 43-80-M16-75-D0-*	80	M16	75	13	3	15	-	85	70	15	-	10	12	20	258
GN 43-80-M16-75-D1-*	80	M16	75	13	3	15	-	85	70	15	2	10	12	20	275
GN 43-80-M16-75-D3-*	80	M16	75	13	3	15	5	85	70	15	-	10	12	20	299
GN 43-80-M16-100-D0-*	80	M16	100	13	3	15	-	85	70	15	-	10	12	20	292
GN 43-80-M16-100-D1-*	80	M16	100	13	3	15	-	85	70	15	2	10	12	20	309
GN 43-80-M16-100-D3-*	80	M16	100	13	3	15	5	85	70	15	-	10	12	20	333
GN 43-80-M16-125-D0-*	80	M16	125	13	3	15	-	85	70	15	-	10	12	20	324
GN 43-80-M16-125-D1-*	80	M16	125	13	3	15	-	85	70	15	2	10	12	20	341
GN 43-80-M16-125-D3-*	80	M16	125	13	3	15	5	85	70	15	-	10	12	20	365
GN 43-80-M16-150-D0-*	80	M16	150	13	3	15	-	85	70	15	-	10	12	20	357
GN 43-80-M16-150-D1-*	80	M16	150	13	3	15	-	85	70	15	2	10	12	20	374
GN 43-80-M16-150-D3-*	80	M16	150	13	3	15	5	85	70	15	-	10	12	20	398
GN 43-80-M20-100-D0-*	80	M20	100	13	3	15	-	85	70	15	-	13	16	20	373
GN 43-80-M20-100-D1-*	80	M20	100	13	3	15	-	85	70	15	2	13	16	20	390
GN 43-80-M20-100-D3-*	80	M20	100	13	3	15	5	85	70	15	-	13	16	20	412
GN 43-80-M20-125-D0-*	80	M20	125	13	3	15	-	85	70	15	-	13	16	20	424
GN 43-80-M20-125-D1-*	80	M20	125	13	3	15	-	85	70	15	2	13	16	20	441
GN 43-80-M20-125-D3-*	80	M20	125	13	3	15	5	85	70	15	-	13	16	20	463
GN 43-80-M20-150-D0-*	80	M20	150	13	3	15	-	85	70	15	-	13	16	20	476
GN 43-80-M20-150-D1-*	80	M20	150	13	3	15	-	85	70	15	2	13	16	20	493
GN 43-80-M20-150-D3-*	80	M20	150	13	3	15	5	85	70	15	-	13	16	20	515
GN 43-80-M20-200-D0-*	80	M20	200	13	3	15	-	85	70	15	-	13	16	20	581
GN 43-80-M20-200-D1-*	80	M20	200	13	3	15	-	85	70	15	2	13	16	20	598
GN 43-80-M20-200-D3-*	80	M20	200	13	3	15	5	85	70	15	-	13	16	20	620
GN 43-80-M24-100-D0-*	80	M24	100	13	3	18	-	85	70	15	-	17	20	22	476
GN 43-80-M24-100-D1-*	80	M24	100	13	3	18	-	85	70	15	2	17	20	22	493
GN 43-80-M24-100-D3-*	80	M24	100	13	3	18	5	85	70	15	-	17	20	22	513
GN 43-80-M24-150-D0-*	80	M24	150	13	3	18	-	85	70	15	-	17	20	22	624
GN 43-80-M24-150-D1-*	80	M24	150	13	3	18	-	85	70	15	2	17	20	22	641
GN 43-80-M24-150-D3-*	80	M24	150	13	3	18	5	85	70	15	-	17	20	22	661
GN 43-80-M24-200-D0-*	80	M24	200	13	3	18	-	85	70	15	-	17	20	22	770
GN 43-80-M24-200-D1-*	80	M24	200	13	3	18	-	85	70	15	2	17	20	22	787
GN 43-80-M24-200-D3-*	80	M24	200	13	3	18	5	85	70	15	-	17	20	22	807

Weight Version V

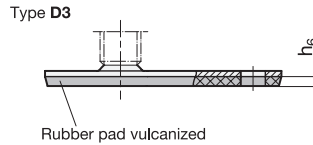
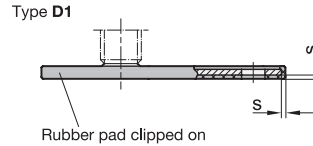
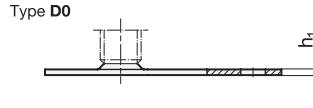
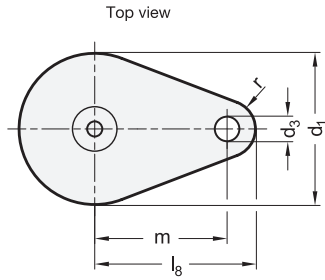




GN 43-W

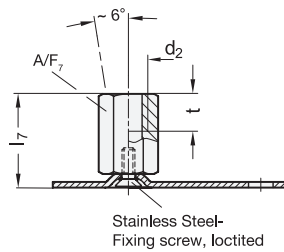
Description	d1	d2	l3	d3	d5	h1	h6	l4	l5	l6	l8	m	r	s	A/F 5	A/F 6	Static Load in kN		
GN 43-60-M16-110-D0-W	60	M 16	110	13	24	2.5	-	45	45	29	65	50	15	-	12	20	16	300	
GN 43-60-M16-110-D1-W	60	M 16	110	13	24	2.5	-	45	45	29	65	50	15	2	12	20	16	314	
GN 43-60-M16-110-D3-W	60	M 16	110	13	24	2.5	4.5	45	45	29	65	50	15	-	12	20	16	324	
GN 43-60-M16-135-D0-W	60	M 16	135	13	24	2.5	-	45	45	29	65	50	15	-	12	20	16	340	
GN 43-60-M16-135-D1-W	60	M 16	135	13	24	2.5	-	45	45	29	65	50	15	2	12	20	16	351	
GN 43-60-M16-135-D3-W	60	M 16	135	13	24	2.5	4.5	45	45	29	65	50	15	-	12	20	16	361	
GN 43-60-M16-160-D0-W	60	M 16	160	13	24	2.5	-	45	45	29	65	50	15	-	12	20	16	381	
GN 43-60-M16-160-D1-W	60	M 16	160	13	24	2.5	-	45	45	29	65	50	15	2	12	20	16	392	
GN 43-60-M16-160-D3-W	60	M 16	160	13	24	2.5	4.5	45	45	29	65	50	15	-	12	20	16	402	
GN 43-60-M16-185-D0-W	60	M 16	185	13	24	2.5	-	45	45	29	65	50	15	-	12	20	16	421	
GN 43-60-M16-185-D1-W	60	M 16	185	13	24	2.5	-	45	45	29	65	50	15	2	12	20	16	432	
GN 43-60-M16-185-D3-W	60	M 16	185	13	24	2.5	4.5	45	45	29	65	50	15	-	12	20	16	442	
GN 43-80-M16-110-D0-W	80	M 16	110	13	24	3	-	45	45	29	85	70	15	-	12	20	20	385	
GN 43-80-M16-110-D1-W	80	M 16	110	13	24	3	-	45	45	29	85	70	15	2	12	20	20	402	
GN 43-80-M16-110-D3-W	80	M 16	110	13	24	3	5	45	45	29	85	70	15	-	12	20	20	426	
GN 43-80-M16-135-D0-W	80	M 16	135	13	24	3	-	45	45	29	85	70	15	-	12	20	20	422	
GN 43-80-M16-135-D1-W	80	M 16	135	13	24	3	-	45	45	29	85	70	15	2	12	20	20	439	
GN 43-80-M16-135-D3-W	80	M 16	135	13	24	3	5	45	45	29	85	70	15	-	12	20	20	463	
GN 43-80-M16-160-D0-W	80	M 16	160	13	24	3	-	45	45	29	85	70	15	-	12	20	20	463	
GN 43-80-M16-160-D1-W	80	M 16	160	13	24	3	-	45	45	29	85	70	15	2	12	20	20	480	
GN 43-80-M16-160-D3-W	80	M 16	160	13	24	3	5	45	45	29	85	70	15	-	12	20	20	504	
GN 43-80-M16-185-D0-W	80	M 16	185	13	24	3	-	45	45	29	85	70	15	-	12	20	20	503	
GN 43-80-M16-185-D1-W	80	M 16	185	13	24	3	-	45	45	29	85	70	15	2	12	20	20	520	
GN 43-80-M16-185-D3-W	80	M 16	185	13	24	3	5	45	45	29	85	70	15	-	12	20	20	544	
GN 43-80-M20-134-D0-W	80	M 20	134	13	30	3	-	56	56	37	85	70	15	-	16	24	20	603	
GN 43-80-M20-134-D1-W	80	M 20	134	13	30	3	-	56	56	37	85	70	15	2	16	24	20	620	
GN 43-80-M20-134-D3-W	80	M 20	134	13	30	3	5	56	56	37	85	70	15	-	16	24	20	642	
GN 43-80-M20-159-D0-W	80	M 20	159	13	30	3	-	56	56	37	85	70	15	-	16	24	20	666	
GN 43-80-M20-159-D1-W	80	M 20	159	13	30	3	-	56	56	37	85	70	15	2	16	24	20	683	
GN 43-80-M20-159-D3-W	80	M 20	159	13	30	3	5	56	56	37	85	70	15	-	16	24	20	705	
GN 43-80-M20-184-D0-W	80	M 20	184	13	30	3	-	56	56	37	85	70	15	-	16	24	20	729	
GN 43-80-M20-184-D1-W	80	M 20	184	13	30	3	-	56	56	37	85	70	15	2	16	24	20	746	
GN 43-80-M20-184-D3-W	80	M 20	184	13	30	3	5	56	56	37	85	70	15	-	16	24	20	768	
GN 43-80-M20-234-D0-W	80	M 20	234	13	30	3	-	56	56	37	85	70	15	-	16	24	20	853	
GN 43-80-M20-234-D1-W	80	M 20	234	13	30	3	-	56	56	37	85	70	15	2	16	24	20	870	
GN 43-80-M20-234-D3-W	80	M 20	234	13	30	3	5	56	56	37	85	70	15	-	16	24	20	892	
GN 43-80-M24-159-D0-W	80	M 24	159	13	35	3	-	67	67	42	85	70	15	-	20	30	22	905	
GN 43-80-M24-159-D1-W	80	M 24	159	13	35	3	-	67	67	42	85	70	15	2	20	30	22	922	
GN 43-80-M24-159-D3-W	80	M 24	159	13	35	3	5	67	67	42	85	70	15	-	20	30	22	942	
GN 43-80-M24-209-D0-W	80	M 24	209	13	35	3	-	67	67	42	85	70	15	-	20	30	22	1083	
GN 43-80-M24-209-D1-W	80	M 24	209	13	35	3	-	67	67	42	85	70	15	2	20	30	22	1100	
GN 43-80-M24-209-D3-W	80	M 24	209	13	35	3	5	67	67	42	85	70	15	-	20	30	22	1120	
GN 43-80-M24-259-D0-W	80	M 24	259	13	35	3	-	67	67	42	85	70	15	-	20	30	22	1262	
GN 43-80-M24-259-D1-W	80	M 24	259	13	35	3	-	67	67	42	85	70	15	2	20	30	22	1279	
GN 43-80-M24-259-D3-W	80	M 24	259	13	35	3	5	67	67	42	85	70	15	-	20	30	22	1299	





Version of threaded stem

X with female thread



GN 43-X

Description	d1	d2	l7	d3	h1	h6	l8	m	r	s	A/F 7	t	Static Load in kN	⚖️
GN 43-50-M8-25-D0-X	50	M 8	25	13	2.5	-	60	45	15	-	14	8	8	85
GN 43-50-M8-25-D1-X	50	M 8	25	13	2.5	-	60	45	15	2	14	8	8	95
GN 43-50-M8-25-D3-X	50	M 8	25	13	2.5	4	60	45	15	-	14	8	8	94
GN 43-50-M10-28-D0-X	50	M 10	28	13	2.5	-	60	45	15	-	14	10	14	90
GN 43-50-M10-28-D1-X	50	M 10	28	13	2.5	-	60	45	15	2	14	10	14	100
GN 43-50-M10-28-D3-X	50	M 10	28	13	2.5	4	60	45	15	-	14	10	14	8
GN 43-50-M12-32-D0-X	50	M 12	32	13	2.5	-	60	45	15	-	17	12	14	117
GN 43-50-M12-32-D1-X	50	M 12	32	13	2.5	-	60	45	15	2	17	12	14	110
GN 43-50-M12-32-D3-X	50	M 12	32	13	2.5	4	60	45	15	-	17	12	14	120
GN 43-50-M16-37-D0-X	50	M 16	37	13	2.5	-	60	45	15	-	22	16	14	120
GN 43-50-M16-37-D1-X	50	M 16	37	13	2.5	-	60	45	15	2	22	16	14	129
GN 43-50-M16-37-D3-X	50	M 16	37	13	2.5	4	60	45	15	-	22	16	14	160
GN 43-60-M8-25-D0-X	60	M 8	25	13	2.5	-	65	50	15	-	14	8	8	99
GN 43-60-M8-25-D1-X	60	M 8	25	13	2.5	-	65	50	15	2	14	8	8	109
GN 43-60-M8-25-D3-X	60	M 8	25	13	2.5	4.5	65	50	15	-	14	8	8	120
GN 43-60-M10-28-D0-X	60	M 10	28	13	2.5	-	65	50	15	-	14	10	14	100
GN 43-60-M10-28-D1-X	60	M 10	28	13	2.5	-	65	50	15	2	14	10	14	110
GN 43-60-M10-28-D3-X	60	M 10	28	13	2.5	4.5	65	50	15	-	14	10	14	125
GN 43-60-M12-32-D0-X	60	M 12	32	13	2.5	-	65	50	15	-	17	12	16	134
GN 43-60-M12-32-D1-X	60	M 12	32	13	2.5	-	65	50	15	2	17	12	16	145
GN 43-60-M12-32-D3-X	60	M 12	32	13	2.5	4.5	65	50	15	-	17	12	16	140
GN 43-60-M16-37-D0-X	60	M 16	37	13	2.5	-	65	50	15	-	22	16	16	500
GN 43-60-M16-37-D1-X	60	M 16	37	13	2.5	-	65	50	15	2	22	16	16	511
GN 43-60-M16-37-D3-X	60	M 16	37	13	2.5	4.5	65	50	15	-	22	16	16	170
GN 43-80-M8-26-D0-X	80	M 8	26	13	3	-	85	70	15	-	14	8	8	202
GN 43-80-M8-26-D1-X	80	M 8	26	13	3	-	85	70	15	2	14	8	8	219
GN 43-80-M8-26-D3-X	80	M 8	26	13	3	5	85	70	15	-	14	8	8	242
GN 43-80-M10-29-D0-X	80	M 10	29	13	3	-	85	70	15	-	14	10	14	202
GN 43-80-M10-29-D1-X	80	M 10	29	13	3	-	85	70	15	2	14	10	14	219
GN 43-80-M10-29-D3-X	80	M 10	29	13	3	5	85	70	15	-	14	10	14	242
GN 43-80-M12-32-D0-X	80	M 12	32	13	3	-	85	70	15	-	17	12	20	217
GN 43-80-M12-32-D1-X	80	M 12	32	13	3	-	85	70	15	2	17	12	20	234
GN 43-80-M12-32-D3-X	80	M 12	32	13	3	5	85	70	15	-	17	12	20	257
GN 43-80-M16-38-D0-X	80	M 16	38	13	3	-	85	70	15	-	22	16	20	231
GN 43-80-M16-38-D1-X	80	M 16	38	13	3	-	85	70	15	2	22	16	20	248
GN 43-80-M16-38-D3-X	80	M 16	38	13	3	5	85	70	15	-	22	16	20	272
GN 43-80-M20-45-D0-X	80	M 20	45	13	3	-	85	70	15	-	27	20	20	295
GN 43-80-M20-45-D1-X	80	M 20	45	13	3	-	85	70	15	2	27	20	20	312
GN 43-80-M20-45-D3-X	80	M 20	45	13	3	5	85	70	15	-	27	20	20	334